

LASER GUIDED VEHICLE (LGV)

AURIGA PPT

DESCRIPTION

Auriga PPT is an automatic laser guided vehicle with covered forks. In low position, the forks cover the rear wheels just like an electrical pallet truck. Thanks to the wheels position in relation to the load being carried, the model can move up to 1.500 kg, while being a machine of reduced dimensions. Auriga PPT is therefore ideal to work in reduced space, between production lines for instance, or in warehouses as well.

**AURIGA PPT
HAS BEEN DESIGNED
TO TRANSPORT PALLETS.
THE VEHICLE
CAN HOWEVER
TRANSPORT:**



**ANY TYPE
OF PRODUCT**



HIGH CAPACITY
*In relation to its reduced dimensions,
the vehicle can move products loads
up to 1.500 kg loads.*



REDUCED DIMENSIONS
*Extremely compact and agile with the
possibility to move in reduced spaces, whilst
guaranteeing maximum safety.*



LASER GUIDED VEHICLE (LGV)

OPTIONALS

BATTERY CHANGE

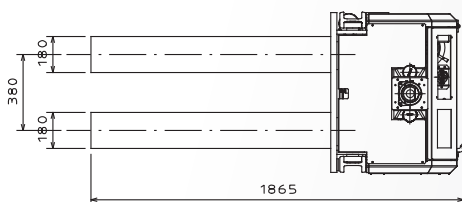
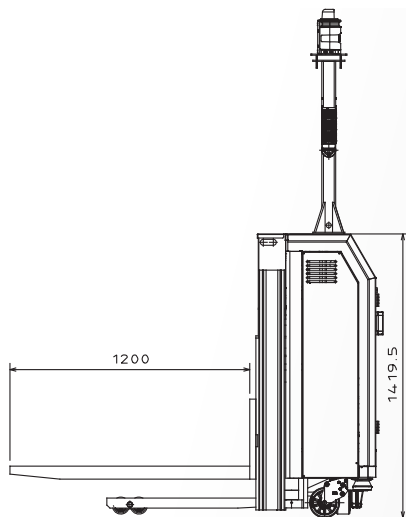


- **BY OPPORTUNITY:** battery recharge station

TYPES OF BATTERY



- **NEXSYS BATTERIES:** pure lead, near-zero gas emission during the charge, no maintenance required
- **LITHIUM BATTERIES:** fast charging, no maintenance required and no gas emission during the charge (OPTIONAL)



FEATURES OF THE MACHINE

SPECIFICATIONS		AURIGA PPT
Max unit Load Weight (kg)		1500
LGV Height* (mm)	H1	2525
Lifting height (mm)	H3	1000
Fork length	FL	1200
LGV Length (mm)	L	1865
LGV Width (mm)	W	800
Wheel base (mm)	WB	1070
Max speed (m/s)		1,5
Max speed Fork Lift (m/s)		0,1
LGV weight with battery (Kg)		1100
Battery		48V - 150 A/h

*Customizable